

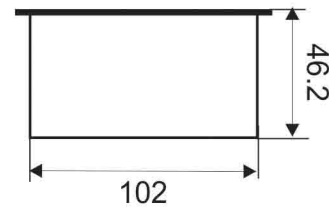
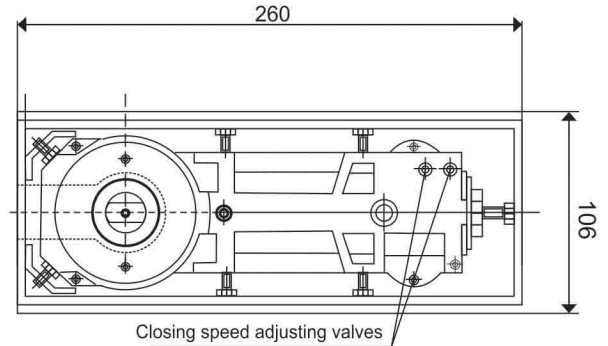


## DOOR CONTROL DEVICES

**Floor spring**



**FLS908**



**SPECIAL FEATURES**

- \* High quality casted iron floor spring body in double layer coated steel body, stainless steel cover
- \* Suitable for both single and double action doors. Internal mechanism parts heat treated & with ball bearings for optimum wear resistance and efficiency
- \* Closer mechanism immersed completely in hydraulic fluid
- \* Stable Hydraulic fluid suitable for all weather and construction lubrication
- \* Floor spring comply to EN 1154 standard
- \* Double action opening. Hold open at 90°
- \* Can be used with glass door 8-12mm, wooden door, iron door, aluminum door
- \* Adjustable closing and Latching speed
- \* Tested for 5,00,000 cycles
- \* German machine oil and sealed rings, keep perfect working even in extreme temperatures.

**TECHNICAL DETAILS**

**MAXIMUM DOOR WEIGHT : 60 KG**

**MAXIMUM DOOR WIDTH : 900MM**

**MAXIMUM OPENING ANGLE : MAX. 116° , HOLD OPEN AT 90°**

**DOUBLE WAY OPENING : DOUBLE WAYS OPENING**

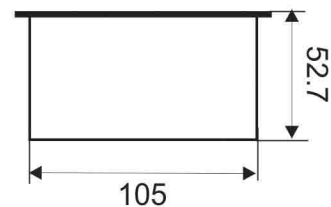
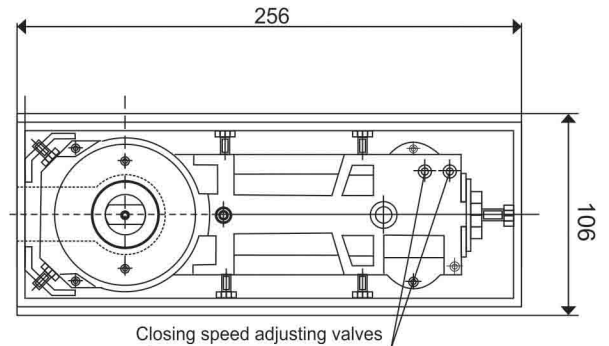
**CLOSING SPEED ADJUSTABLE : 116° - 20°**

**LATCHING SPEED ADJUSTABLE : 20°-0°**

**Floor spring**



**FLS918**



**SPECIAL FEATURES**

- \* High quality casted iron floor spring body in double layer coated steel body, stainless steel cover
- \* Suitable for both single and double action doors. Internal mechanism parts heat treated & with ball bearings for optimum wear resistance and efficiency
- \* Closer mechanism immersed completely in hydraulic fluid
- \* Stable Hydraulic fluid suitable for all weather and construction lubrication
- \* Floor spring comply to EN 1154 standard
- \* Double action opening. Hold open at 90°
- \* Can be used with glass door 8-12mm, wooden door, iron door, aluminum door
- \* Adjustable closing and Latching speed
- \* Tested for 5,00,000 cycles
- \* German machine oil and sealed rings, keep perfect working even in extreme temperatures.

**TECHNICAL DETAILS**

**MAXIMUM DOOR WEIGHT : 90 KG**

**MAXIMUM DOOR WIDTH : 950MM**

**MAXIMUM OPENING ANGLE : MAX. 116° , HOLD OPEN AT 90°**

**DOUBLE WAY OPENING : DOUBLE WAYS OPENING**

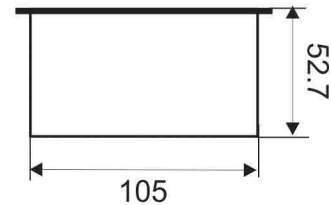
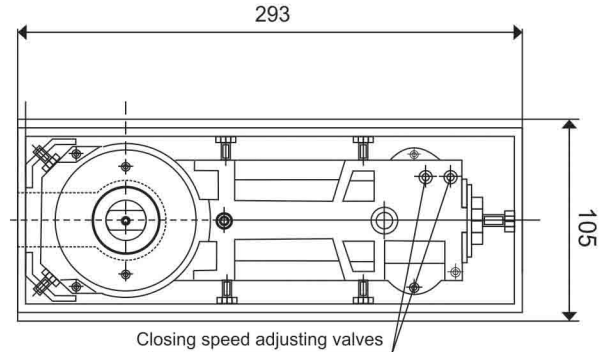
**CLOSING SPEED ADJUSTABLE : 116° - 20°**

**LATCHING SPEED ADJUSTABLE : 20°-0°**

**Floor spring**



**FLS938**



**SPECIAL FEATURES**

- \* High quality casted iron floor spring body in double layer coated steel body, stainless steel cover
- \* Suitable for both single and double action doors. Internal mechanism parts heat treated & with ball bearings for optimum wear resistance and efficiency
- \* Closer mechanism immersed completely in hydraulic fluid
- \* Stable Hydraulic fluid suitable for all weather and construction lubrication
- \* Floor spring comply to EN 1154 standard
- \* Double action opening. Hold open at 90
- \* Can be used with glass door 8-12mm, wooden door, iron door, aluminum door
- \* Adjustable closing and Latching speed
- \* Tested for 5,00,000 cycles
- \* German machine oil and sealed rings, keep perfect working even in extreme temperatures.

**TECHNICAL DETAILS**

**MAXIMUM DOOR WEIGHT : 120 KG**

**MAXIMUM DOOR WIDTH : 1150MM**

**MAXIMUM OPENING ANGLE : MAX. 116° , HOLD OPEN AT 90°**

**DOUBLE WAY OPENING : DOUBLE WAYS OPENING**

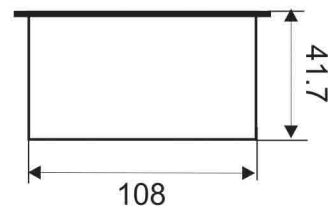
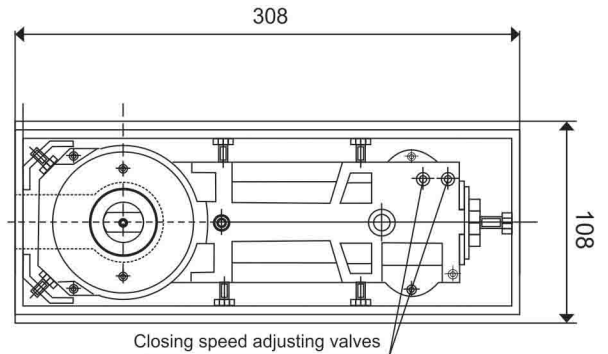
**CLOSING SPEED ADJUSTABLE : 116° - 20°**

**LATCHING SPEED ADJUSTABLE : 20°-0°**

**Floor spring**



**FLS948**



**SPECIAL FEATURES**

- \* High quality casted iron floor spring body in double layer coated steel body, stainless steel cover
- \* Suitable for both single and double action doors. Internal mechanism parts heat treated & with ball bearings for optimum wear resistance and efficiency
- \* Closer mechanism immersed completely in hydraulic fluid
- \* Stable Hydraulic fluid suitable for all weather and construction lubrication
- \* Floor spring comply to EN 1154 standard
- \* Double action opening. Hold open at 90
- \* Can be used with glass door 8-12mm, wooden door, iron door, aluminum door
- \* Adjustable closing and Latching speed
- \* Tested for 5,00,000 cycles
- \* German machine oil and sealed rings, keep perfect working even in extreme temperatures.

**TECHNICAL DETAILS**

**MAXIMUM DOOR WEIGHT : 150 KG**

**MAXIMUM DOOR WIDTH : 1250MM**

**MAXIMUM OPENING ANGLE : MAX. 116° , HOLD OPEN AT 90°**

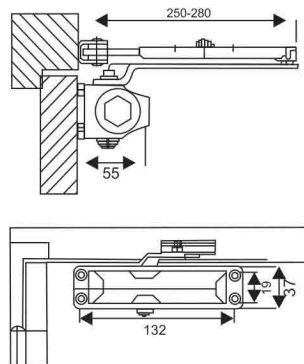
**DOUBLE WAY OPENING : DOUBLE WAYS OPENING**

**CLOSING SPEED ADJUSTABLE : 116° - 20°**

**LATCHING SPEED ADJUSTABLE : 20°-0°**



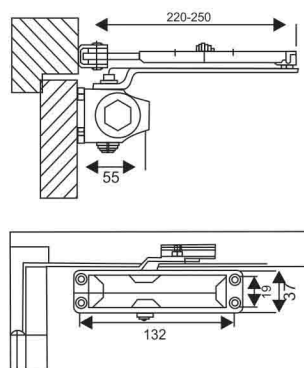
DCA0045



- \* The max width of door is 500-1000mm suitable for the door weight of 25-45kg
- \* With a function of stopping at anchor point of 90° & no anchor point of 180°
- \* Distance : 132mm x 19mm
- \* The adjustable section of closing speed is 180° - 20° the adjustable section of locking is 20° - 0°
- \* High quality painting to enhance surface life



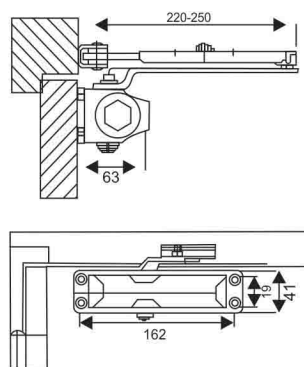
DCA0060



- \* The max width of door is 600-1100mm suitable for the door weight of 45-60kg
- \* With a function of stopping at anchor point of 90° & no anchor point of 180°
- \* Distance : 132mm x 19mm
- \* The adjustable section of closing speed is 180° - 20° the adjustable section of locking is 20° - 0°
- \* High quality painting to enhance surface life



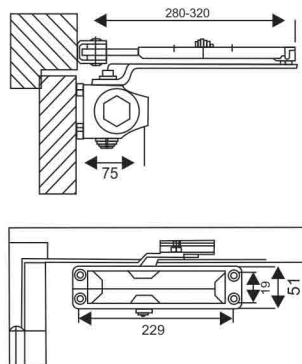
DCA1060



- \* The max width of door is 600-1200mm suitable for the door weight of 45-60kg
- \* With a function of stopping at anchor point of 90° & no anchor point of 180°
- \* Distance : 162mm x 19mm
- \* The adjustable section of closing speed is 180° - 20° the adjustable section of locking is 20° - 0°
- \* High quality painting to enhance surface life



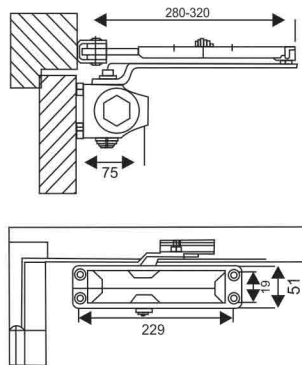
DCA0120



- \* The max width of door is 1000-2000mm suitable for the door weight of 80-110kg
- \* With a function of stopping at anchor point of 90° & no anchor point of 180°
- \* Distance : 229mm x 19mm
- \* The adjustable section of closing speed is 180° - 20° the adjustable section of locking is 20° - 0°
- \* High quality painting to enhance surface life



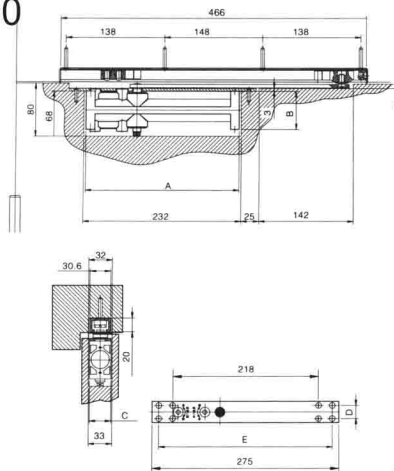
DCA0080



- \* The max width of door is 1000-2000mm suitable for the door weight of 80-110kg
- \* With a function of stopping at anchor point of 90° & no anchor point of 180°
- \* Distance : 229mm x 19mm
- \* The adjustable section of closing speed is 180° - 20° the adjustable section of locking is 20° - 0°
- \* High quality painting to enhance surface life



DCC0080



- \* Suitable for door width upto 950mm, weight upto 65kg
- \* Slim body (33mm) for easy concealed installation
- \* High quality painting to enhance surface life



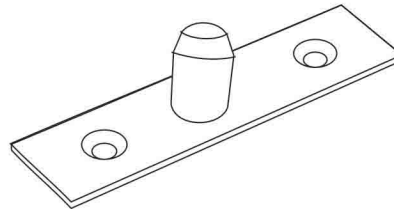
## PATCH FITTINGS



Top Pivot



PFE0001

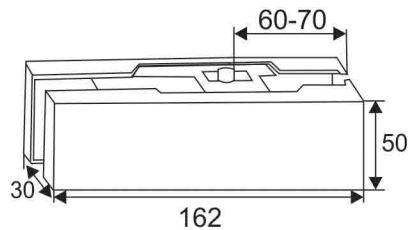


\* Suitable for glass door and decorative glass of 10mm- 12mm thickness.

Bottom Patch



PFE0002

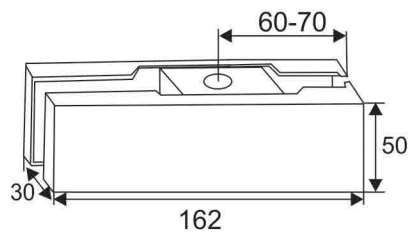


\* Suitable for glass door and decorative glass of 10mm- 12mm thickness.

Top Patch



PFE0003

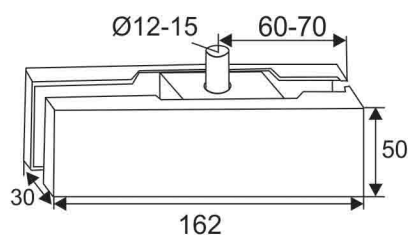


\* Suitable for glass door and decorative glass of 10mm- 12mm thickness.

Over Panel Patch



PFE0004



\* Suitable for glass door and decorative glass of 10mm- 12mm thickness.