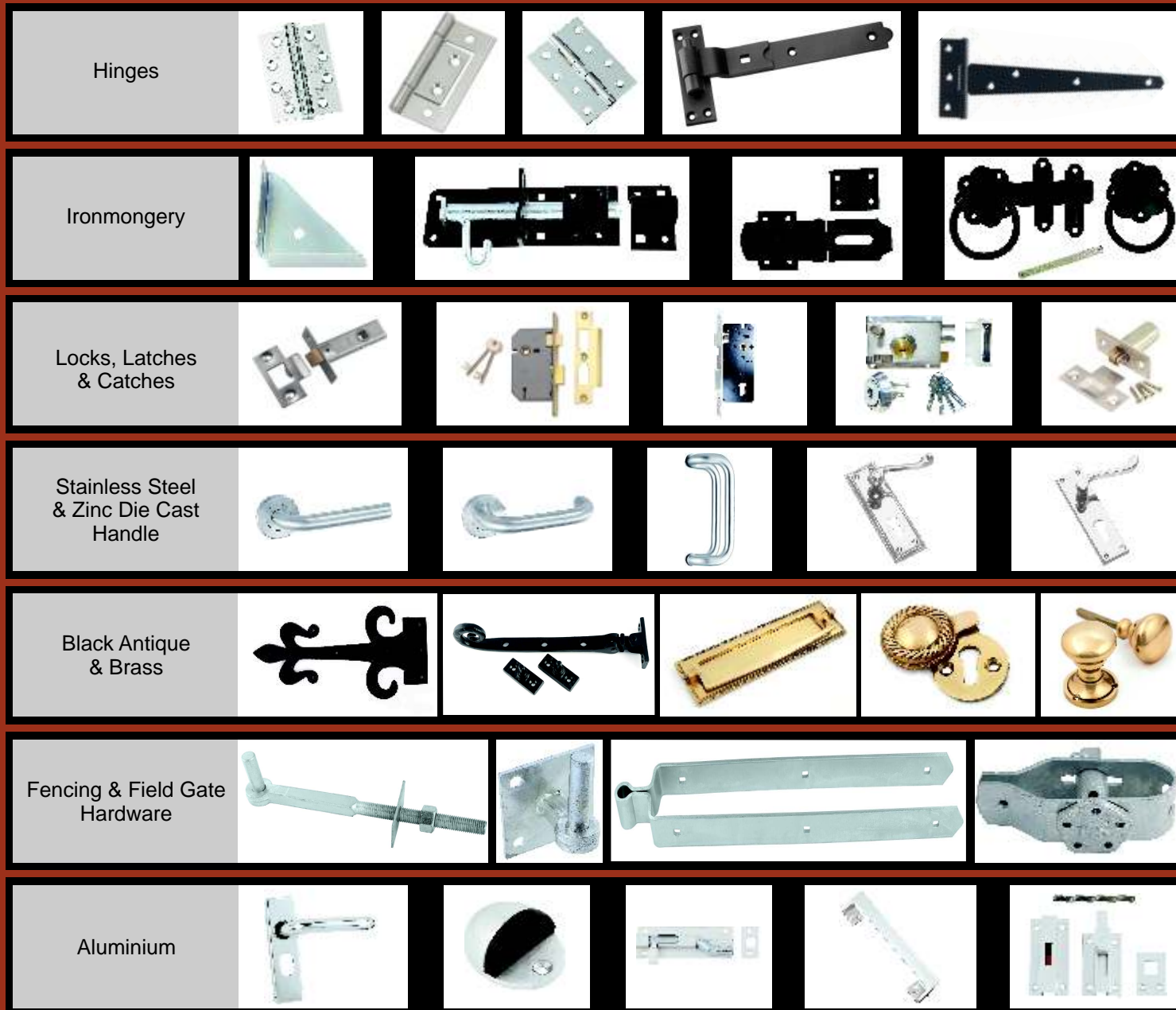


Other Product Range



Garg

ISO 9001 : 2008 CERTIFIED COMPANY

Miscellaneous



D. P. GARG & CO. PVT. LTD.

An ISO : 9001 : 2008 , 14001 : 2004, 18001 : 2007 Certified Company

A Government of India Recognised Star Export House

B-210 B, Phase - 2, Noida - 201305 (U.P.) INDIA

Ph.: +91-120-2460071, 2460085 to 87, 3290554, 3290445 Fax : +91-120-2460083, 2424519, 2424452

Email : smg@garg-hinges.com

Visit us at : www.garg-hinges.com, www.garglocks.co.in , www.elitelocks.co.in



Quality the World Trusts



MISCELLANEOUS HARDWARE

CODE	DESCRIPTION	PAGE	CODE	DESCRIPTION	PAGE
	MILD STEEL TUBES & RAIL	01	GFESB18C	GRAB RAIL WITH CONCEALED ROSES	08
1105	WARDROBE END BRACKET	01	1509	ORNAMENTAL GATE PULLS	08
1101	WARDROBE CENTRE BRACKET	01	GZC3001	POLE HOOK	08
1111	WARDROBE END SOCKET	02	BS4320	WASHERS (FORM A AND B)	09
1116	OVAL CENTRE SOCKET	02	BS4320	WASHERS (FORM C AND D)	10
1121	OVAL END SOCKET	02	BS4320	WASHERS (FORM E)	11
GDC011	SPRING DOOR CLOSER	03	BS4320	WASHERS (FORM F)	12
GDC001	SPRING DOOR CLOSER	03	DIN125	STANDARD FASTENER	13
GPV001	UPVC LEVER HANDLE	03	BS3410	LARGE BRIGHT WASHER (T-4 LIGHT PATTERN)	14
GPV011	UPVC LOCKING WINDOW FASTENER	04	BS3410	LARGE BRIGHT WASHER (T-4 HEAVY PATTERN)	15
GPV021	UPVC LETTER PLATE	04	BS3410	SMALL BRIGHT WASHER (T-3 LIGHT PATTERN)	16
GPL0401	SCREW CUP & CAP	04	BS3410	SMALL BRIGHT WASHER (T-3 HEAVY PATTERN)	17
GPL0051	CONNECTING BOLT	04	BS4320G	FLAT WASHER FORM G	18
GPL0201	SHELF BRACKET WITH NAILS	05		MUDGUARD WASHER	19
GPL0301	KD BLOCKS	05		STEEL WOOD SCREW	20
GPL0321	MODESTY BLOCKS	05		HEXAGON BOLTS & CARRIAGE BOLTS	20
GPL0061	GLASS CLIP	05		STEEL MACHINE SCREW	20
GWD0050	PINE KNOB	06		STEEL SELF TAPPING SCREW	21
GPL0351	DOOR WEDGE	06		WRENTAILS	21
GPL0331	RUBBER DOOR STOP	06		SCREWS & THREADED RODS	21
	BOOKCASE STRIP AND CHANNEL	06	74103	TURN BUCKLES	22
9000AS	STEEL STUDS FOR BOOKCASE STRIP & CHANNEL	07	GFX5012	SCREW EYE 2"	22
9000AF	STEEL STUDS FOR BOOKCASE STRIP & CHANNEL	07	GFX5001	SCREW HOOK 3"	22
9000AC	STEEL STUDS FOR BOOKCASE STRIP & CHANNEL	07	D702	SHELF BRACKET (LONDON PATTERN)	23
9000ADR	STEEL STUDS FOR BOOKCASE STRIP & CHANNEL	07	1247	FLUTED ANGLE BRACKET	23
9000AR	STEEL STUDS FOR BOOKCASE STRIP & CHANNEL	07	70050	CISTERN BRACKET	23
GFESB18	FLAT END STEEL GRAB RAIL	07		ALPHABETICAL & CODE INDEX	24
GFESB180	OFFSET FLAT END STEEL GRAB RAIL	07			

***NOTE : ALL WEIGHTS GIVEN IN KGS & LENGTHS IN MM UNLESS MENTIONED**

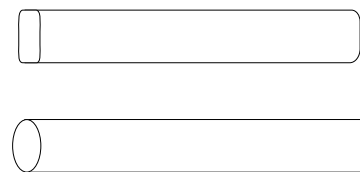
MILD STEEL TUBES & RAIL



AVAILABLE IN VARIOUS PROFILES & SHAPES

ROUND, OVAL

Outer Diameters : 1mm to 127mm
Wall Thickness : 0.10mm to 4mm



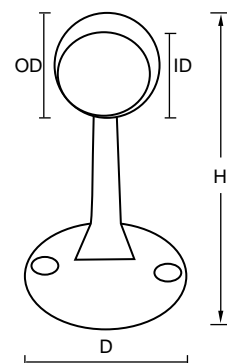
Also Available :- Oval, End Brackets & Accessories in various finishes.
CP, Satin, Antique Brass etc

1105 : WARDROBE END BRACKET



ITEM CODE	HEIGHT	BASE DIA.	OUTER DIA.	INNER DIA.	SCREW NO.	WT/PCS	Pcs In Inner	Pcs In Outer
ZMIH1105019	79	46	25	20	7	0.066	20	200
ZMIH1105025	89	46	31	26	7	0.078	20	200

FINISH AVAILABLE : BRASS, CHROME

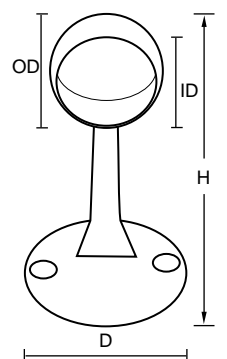


1101 : WARDROBE CENTRE BRACKET



ITEM CODE	HEIGHT	BASE DIA.	OUTER DIA.	INNER DIA.	SCREW NO.	WT/PCS	Pcs In Inner	Pcs In Outer
ZMIH1101019	79	46	25	20	7	0.056	20	200
ZMIH1101025	89	46	31	26	7	0.059	20	200

FINISH AVAILABLE : BRASS, CHROME

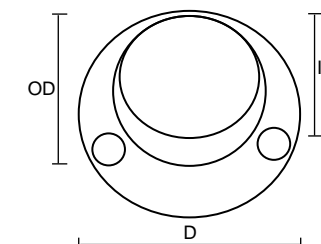


1111 : WARDROBE END SOCKET



ITEM CODE	BASE DIA.	OUTER DIA.	INNER DIA.	SCREW NO.	WT/PCS	Pcs In Inner	Pcs In Outer
ZMIH1111025	45	29	26	7	0.019	50	500
ZMIH1111019	50	23	20	7	0.017	50	500

FINISH AVAILABLE : BRASS, CHROME

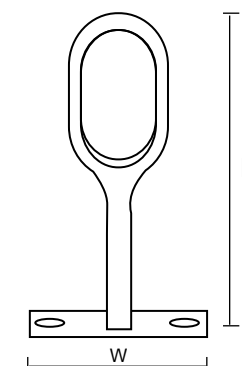


1116 : OVAL CENTRE SOCKET



ITEM CODE	SIZE	HEIGHT	WIDTH	SCREW NO.	WT/PCS	Pcs In Inner	Pcs In Outer
ZMIH1116019	3/4"	79	45	6	0.045	50	200
ZMIH1116025	1"	81	45	6	0.050	20	200

FINISH AVAILABLE : BRASS, CHROME

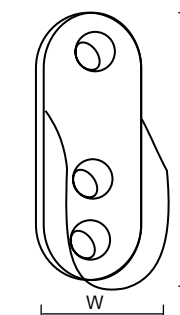


1121 : OVAL END SOCKET

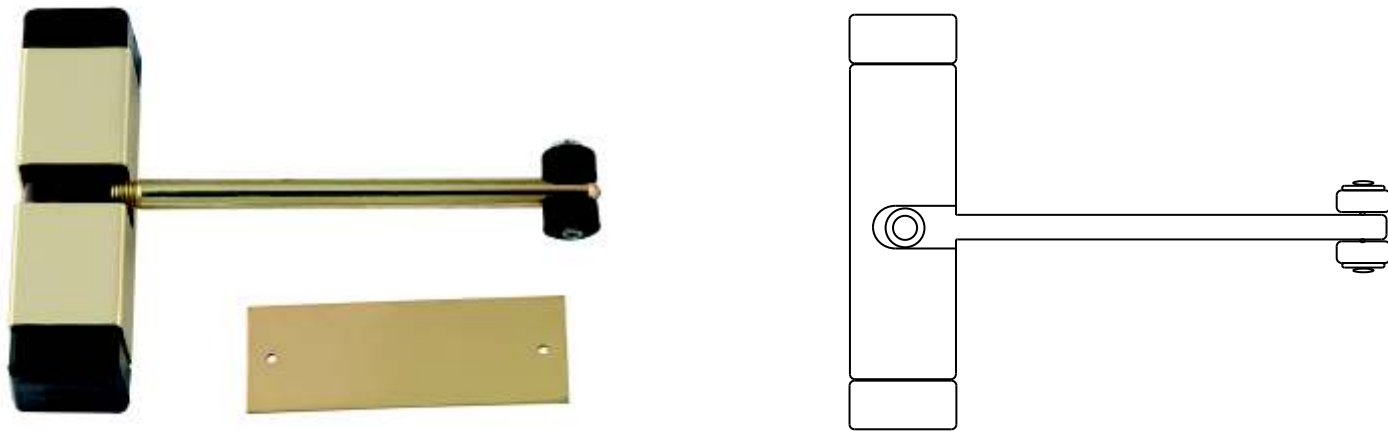


ITEM CODE	SIZE	LENGTH	WIDTH	SCREW NO.	WT/PCS	Pcs In Inner	Pcs In Outer
ZMIH1121019	3/4"	43	19	6	0.015	20	200
ZMIH1121025	1"	40	15	6	0.020	20	200

FINISH AVAILABLE : BRASS, CHROME



GDC011 : SPRING DOOR CLOSER



SUITABLE FOR DOOR UPTO 68KG
 Finishes Available : Epoxy White, Satin Nickel Plated
 Brass Plated, Epoxy Black Etc.

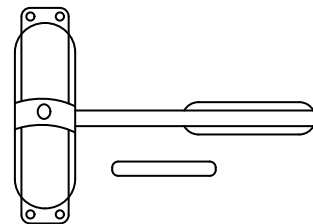
GDC001 : SPRING DOOR CLOSER



**KEEPS THE DOOR CLOSED
 ADJUSTABLE TENSION LEFT RIGHT
 HAND FITTING.**

Suitable for use on doors up to 68 kgs. (150lbs)

Finishes Available : Epoxy White, Satin Nickel Plated
 Brass Plated, Epoxy Black Etc.

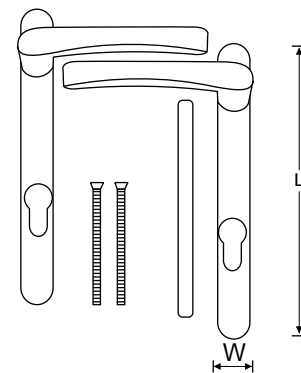


GPV001 : UPVC LEVER HANDLE



ITEM CODE	LENGTH	WIDTH	CENTRE DISTANCE	BOLT	WT/SET	Set In Inner	Set In Outer
HHNDPV01XXX	203	25	91	M5	0.616	1	30

FINISH AVAILABLE : ELECTO BRASS PLATED,
 SATIN NICKEL PLATED , EPOXY WHITE

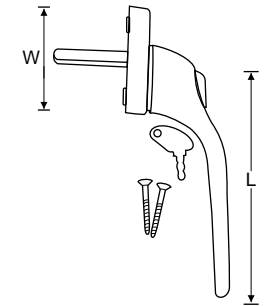


GPV011: UPVC LOCKING WINDOW FASTENER



ITEM CODE	LENGTH	WIDTH	SCREW NO.	WT/PCS	Pcs In Inner	Pcs In Outer
HMIHPV11065	139	62	8	0.206	5	60

FINISH AVAILABLE : ELECTRO BRASS PLATED, EPOXY WHITE,
 SATIN NICKEL

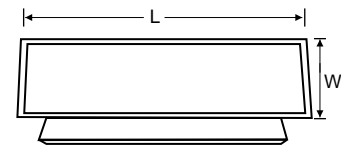


GPV021: UPVC LETTER PLATE



ITEM CODE	LENGTH	WIDTH	SCREW NO.	WT/PCS	Pcs In Inner	Pcs In Outer
HMIHPV21250	260	72	7	0.354	5	40

FINISH AVAILABLE : ELECTRO BRASS PLATED, EPOXY WHITE,
 SATIN NICKEL, CHROME PLATED

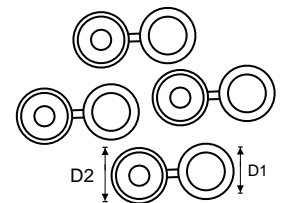


GPL0401 : SCREW CUP & CAP



ITEM CODE	BASE DIA. D1	CAP DIA. D2	WT/PCS	Pcs In Inner	Pcs In Outer
PMIH0401XXX	12.0	11.0	0.0003	1000	5000

COLOUR AVAILABLE : WHITE, BROWN, BLACK, MAGNOLIA, GREY

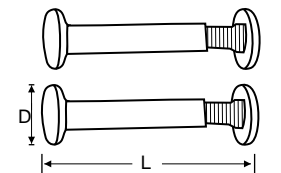


GPL0051 : CONNECTING BOLT



ITEM CODE	LENGTH	DIAMETER	BOLT	WT/PCS	Pcs In Inner	Pcs In Outer
PMIH0051040	47	16	M6	0.002	100	1000

COLOUR AVAILABLE : WHITE, BROWN, BLACK, MAGNOLIA, GREY

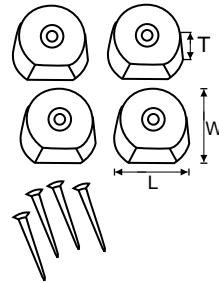


GPL0201 : SHELF BRACKET WITH NAILS



ITEM CODE	LENGTH	WIDTH	THICKNESS	WT/PCS	Pcs In Inner	Pcs In Outer
PMIH0201XXX	15	13	6.5	0.0004	1000	5000

COLOUR AVAILABLE : WHITE, BROWN, BLACK, MAGNOLIA, GREY

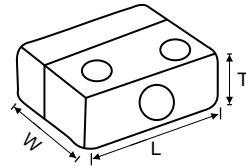


GPL0301 : KD BLOCKS



ITEM CODE	LENGTH	WIDTH	THICKNESS	SCREW NO.	WT/PCS	Pcs In Inner	Pcs In Outer
PMIH0301XXX	35	25	12.5	6	0.008	100	1000

COLOUR AVAILABLE : WHITE, BROWN, BLACK, MAGNOLIA, GREY

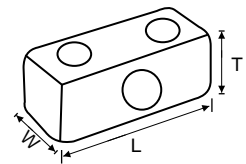


GPL0321 : MODESTY BLOCKS



ITEM CODE	LENGTH	WIDTH	THICKNESS	SCREW NO.	WT/PCS	Pcs In Inner	Pcs In Outer
PMIH0321XXX	35	13.5	13	6	0.008	100	1000

COLOUR AVAILABLE : WHITE, BROWN, BLACK, MAGNOLIA, GREY

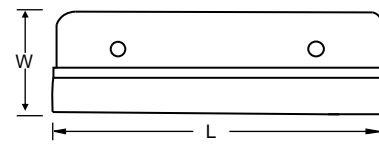


GPL0061 : GLASS CLIP



ITEM CODE	LENGTH	WIDTH	THICKNESS	WT/PCS	Pcs In Inner	Pcs In Outer
PMIH0061XXX	46	15	3.0	0.002	1000	5000

COLOUR AVAILABLE : BLACK, BROWN

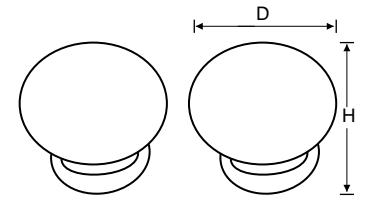


GWD0050: PINE KNOB



ITEM CODE	HEIGHT	DIAMETER	BOLT	WT/SET	Set In Inner	Set In Outer
WMIH0050032	30	33	M4	0.011	20	200

COLOUR AVAILABLE : PINE PLAIN UNLACQUERED

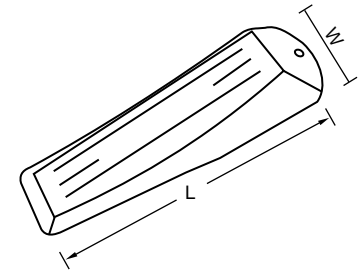


GPL0351: DOOR WEDGE



ITEM CODE	LENGTH	WIDTH	SCREW NO.	WT/PCS	Pcs In Inner	Pcs In Outer
PMIH0351XXX	136	43	6	0.058	20	240

COLOUR AVAILABLE : GREY

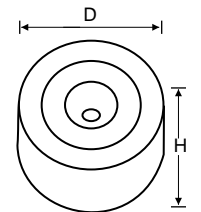


GPL0331: RUBBER DOOR STOP



ITEM CODE	HEIGHT	DIAMETER	SCREW NO.	WT/PCS	Pcs In Inner	Pcs In Outer
RMIH0331032	21	32	8	0.012	50	500

COLOUR AVAILABLE : BLACK, WHITE



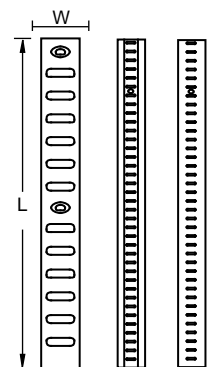
BOOKCASE STRIP AND CHANNEL



9000R 9000C 9000F

DPG CODE	ITEM CODE	LENGTH	WIDTH	THICKNESS	Screw No	WT/PCS	PCS In CASE
9000R	MIRN9010I72	1825	24.5	1.0	4	0.330	100
9000F	MIRN9011I72	1825	19	2.0	4	0.475	50
9000C	MIRN9012H35	3500	16	0.6	4	0.450	100

FINISH AVAILABLE - EB, NP, ZP, EXBR, EXB, CP, IBMA

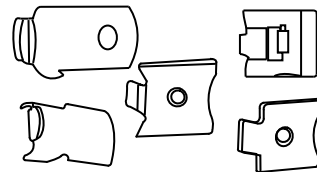


9000AS/AF/AC/ADR : STEEL STUDS FOR BOOKCASE STRIP & CHANNEL



DPG CODE	ITEM CODE	THICKNESS	WT/PCS	PCS IN OUTER
9000AS	MIRN9017XXX	2.0	0.005	4000
9000ADR	MIRN9014XXX	1.6	0.009	1500
9000AR	MIRN9013XXX	2.0	0.005	4000
9000AC	MIRN9016016	1.4	0.006	4000
9000AF	MIRN9015XXX	1.65	0.005	4000

FINISH AVAILABLE - EB, NP, ZP, EXBR, EXB



GFESB18 : FLAT END STEEL GRAB RAIL



ITEM CODE	LENGTH	HEIGHT	DIA	SCREW NO.	WT/PCS	PCS IN INNER	PCS IN OUTER
MGRBFE18450	456	94	25	8	0.367	50	50
MGRBFE24600	609	94	25	8	0.478	40	40
MGRBFE28700	712	94	25	8	0.580	30	30

FINISH AVAILABLE - EXW, EXB

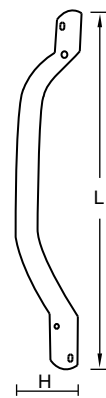


GFESB180 : OFFSET FLAT END STEEL GRAB RAIL



ITEM CODE	LENGTH	HEIGHT	DIA	SCREW NO.	WT/PCS	PCS IN INNER	PCS IN OUTER
MGRBFO18450	457	94	25	8	0.367	50	50
MGRBFO24600	609	94	25	8	0.478	40	40
MGRBFO28700	712	94	25	8	0.580	30	30

FINISH AVAILABLE - EXB, EXW

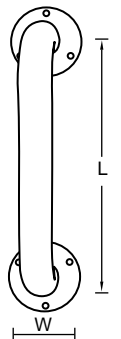


GFESB18C : GRAB RAIL WITH CONCEALED ROSES



ITEM CODE	LENGTH	WIDTH	HEIGHT	DIA.	SCREW NO.	WT/PCS	Pcs In Inner	Pcs In Outer
MGRBFC18450	450	89	115	35	10	0.888	10	10

FINISH AVAILABLE - EXB, EXW

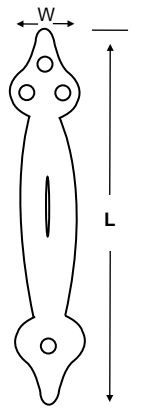


1509 : ORNAMENTAL GATE PULLS



ITEM CODE	LENGTH	WIDTH	THICKNESS	SCREW NO.	WT/PCS	Pcs In Inner	Pcs In Outer
MHND1509250	262	80	3.0	6	0.184	10	100

FINISH AVAILABLE - ZP, EXB

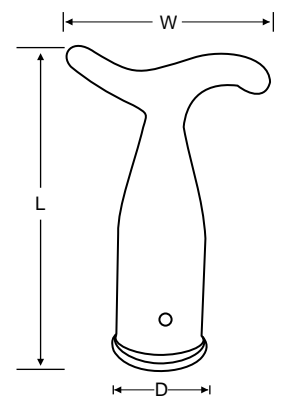


GZC3001 : POLE HOOK



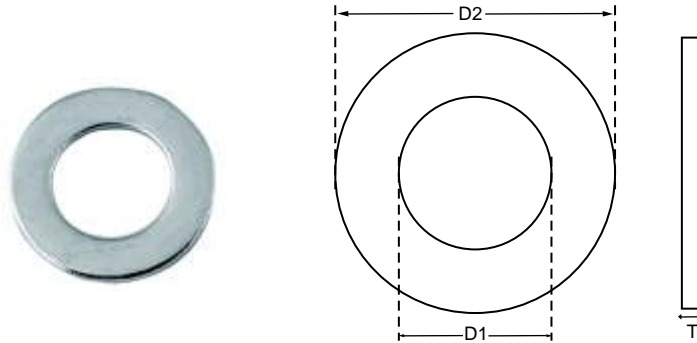
ITEM CODE	LENGTH	WIDTH	DIAMETER	WT/PCS	Pcs In Inner	Pcs In Outer
ZMIH3001XXX	112	72	27	0.091	10	100

FINISH AVAILABLE - ELECTRO BRASS, CHROME





WASHERS : BS 4320 METRIC SERIES (FORM A & B)

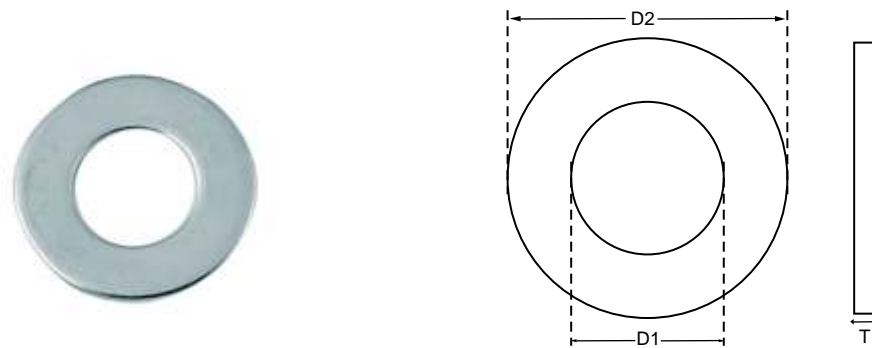


BS 4320 DIMENSIONS OF WASHERS (FORMS A AND B)

NOMINAL SIZE OF BOLT OR SCREW	INSIDE DIAMETER (D1)mm	OUTER DIAMETER (D2)mm	THICKNESS (T) mm	
			FORM A (Normal Range)	FORM B (Normal Range)
	Min - Max	Min - Max	Min - Max	Min - Max
M3	3.2 - 3.4	6.7 - 7.0	0.4 - 0.6	-
M4	4.3 - 4.5	8.7 - 9.0	0.7 - 0.9	-
M5	5.3 - 5.5	9.7 - 10.0	0.9 - 1.1	-
M6	6.4 - 6.7	12.1 - 12.5	1.4 - 1.8	0.7 - 0.9
M8	8.4 - 8.7	16.6 - 17.0	1.4 - 1.8	0.9 - 1.1
M10	10.5 - 10.9	20.5 - 21.5	1.8 - 2.2	1.05 - 1.45
M12	13.0 - 13.4	23.5 - 24.0	2.3 - 2.7	1.4 - 1.8
M14	15.0 - 15.4	27.5 - 28.0	2.3 - 2.7	1.4 - 1.8
M16	17.0 - 17.4	29.5 - 30.0	2.7 - 3.3	1.8 - 2.2
M18	19.0 - 19.5	33.2 - 34.0	2.7 - 3.3	1.8 - 2.2
M20	21.0 - 21.5	36.0 - 37.0	2.7 - 3.3	1.8 - 2.2
M22	23.0 - 23.5	38.2 - 39.0	2.7 - 3.3	1.8 - 2.2
M24	25.0 - 25.5	43.2 - 44.0	3.7 - 4.3	2.3 - 2.7
M27	28.0 - 28.5	49.2 - 50.0	3.7 - 4.3	2.3 - 2.7
M30	31.0 - 31.6	55.0 - 56.0	3.7 - 4.3	2.3 - 2.7
M33	34.0 - 34.6	59.0 - 60.0	4.4 - 5.6	2.7 - 3.3
M36	37.0 - 37.6	65.0 - 66.0	4.4 - 5.6	2.7 - 3.3
M39	40.0 - 40.6	71.0 - 72.0	5.4 - 6.6	2.7 - 3.3

FINISH AVAILABLE : ZP, HSG

WASHERS : BS 4320 METRIC SERIES (FORM C AND D)

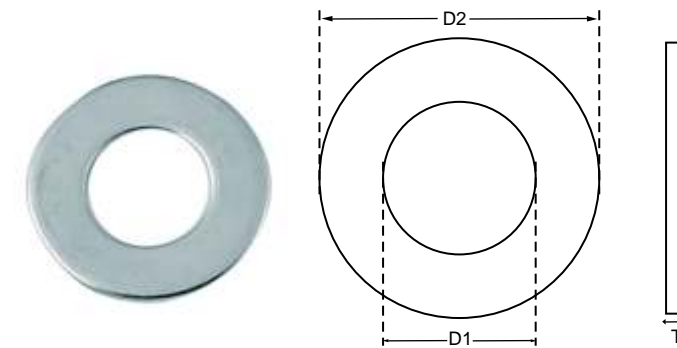


BS 4320 DIMENSIONS OF WASHERS (FORMS C AND D)

NOMINAL SIZE OF BOLT OR SCREW	INSIDE DIAMETER mm	OUTER DIAMETER mm	THICKNESS mm	
			FORM C (Normal Range)	FORM D (Normal Range)
			Min - Max	Min - Max
M4	4.3 - 4.5	9.7 - 10.0	0.7 - 0.9	-
M5	5.3 - 5.5	12.1 - 12.5	0.9 - 1.1	-
M6	6.4 - 6.7	13.6 - 14.0	1.4 - 1.8	0.7 - 0.9
M8	8.4 - 8.7	20.5 - 21.0	1.4 - 1.8	0.9 - 1.1
M10	10.5 - 10.9	23.5 - 24.0	1.4 - 1.8	1.05 - 1.45
M12	13.0 - 13.4	27.5 - 28.0	2.3 - 2.7	1.4 - 1.8
M14	15.0 - 15.4	29.5 - 30.0	2.3 - 2.7	1.4 - 1.8
M16	17.0 - 17.4	33.2 - 34.0	2.7 - 3.3	1.8 - 2.2
M18	19.0 - 19.5	36.2 - 37.0	2.7 - 3.3	1.8 - 2.2
M20	21.0 - 21.5	38.2 - 39.0	2.7 - 3.3	1.8 - 2.2
M22	23.0 - 23.5	43.2 - 44.0	2.7 - 3.3	1.8 - 2.2
M24	25.0 - 25.5	49.2 - 50.0	3.7 - 4.3	2.3 - 2.7
M27	28.0 - 28.5	55.0 - 56.0	3.7 - 4.3	2.3 - 2.7
M30	31.0 - 31.6	59.0 - 60.0	3.7 - 4.3	2.3 - 2.7
M33	31.0 - 31.6	65.0 - 66.0	4.4 - 5.6	2.7 - 3.3
M36	37.0 - 37.6	71.0 - 72.0	4.4 - 5.6	2.7 - 3.3
M39	40.0 - 40.6	76.0 - 77.0	5.4 - 6.6	2.7 - 3.3

FINISH AVAILABLE : ZP, HSG

WASHERS : BS 4320 METRIC SERIES (FORM E)

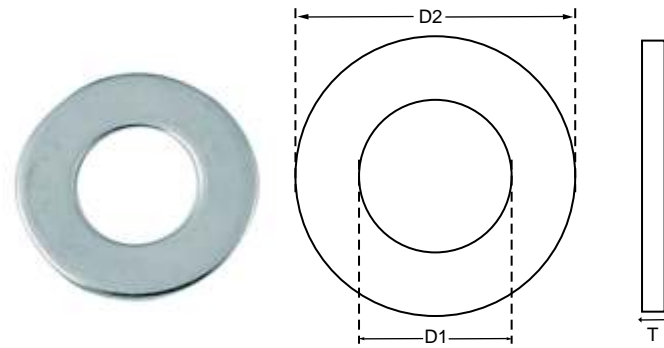


BS 4320 DIMENSIONS OF WASHERS (FORM E)

NOMINAL SIZE OF BOLT OR SCREW	INSIDE DIAMETER mm	OUTER DIAMETER mm	THICKNESS mm
	Min - Max	Min - Max	Min - Max
M5	5.5 - 5.8	9.2 - 10.0	0.8 - 1.2
M6	6.6 - 7.0	11.7 - 12.5	1.3 - 1.9
M8	9.0 - 9.4	16.2 - 17.0	1.3 - 1.9
M10	11.0 - 11.5	20.2 - 21.0	1.7 - 2.3
M12	14.0 - 14.5	23.2 - 24.0	2.2 - 2.8
M14	16.0 - 16.5	27.2 - 23.0	2.2 - 2.8
M16	18.0 - 18.5	29.2 - 30.0	2.4 - 3.6
M18	20.0 - 20.6	32.8 - 34.0	2.4 - 3.6
M20	22.0 - 22.6	35.8 - 37.0	2.4 - 3.6
M22	24.0 - 24.6	37.8 - 39.0	2.4 - 3.6
M24	26.0 - 26.6	42.8 - 44.0	3.4 - 4.6
M27	30.0 - 30.6	48.8 - 50.0	3.4 - 4.6
M30	33.0 - 33.8	54.5 - 56.0	3.4 - 4.6
M33	36.0 - 36.8	58.5 - 60.0	4.0 - 6.0
M36	39.0 - 39.8	64.5 - 66.0	4.0 - 6.0
M39	42.0 - 42.8	70.5 - 72.0	5.0 - 7.0
M42	45.0 - 45.8	76.5 - 78.0	5.8 - 8.2
M45	48.0 - 48.8	83.0 - 85.0	5.8 - 8.2
M48	52.0 - 53.0	90.0 - 92.0	6.8 - 9.2
M52	56.0 - 57.0	96.0 - 98.0	6.8 - 9.2
M56	62.0 - 63.0	103.0 - 105.0	7.8 - 10.2
M60	66.0 - 67.0	108.0 - 110.0	7.8 - 10.2
M64	70.0 - 71.0	113.0 - 115.0	7.8 - 10.2
M68	74.0 - 75.0	118.0 - 120.0	8.8 - 11.2

FINISH AVAILABLE : ZP, HSG

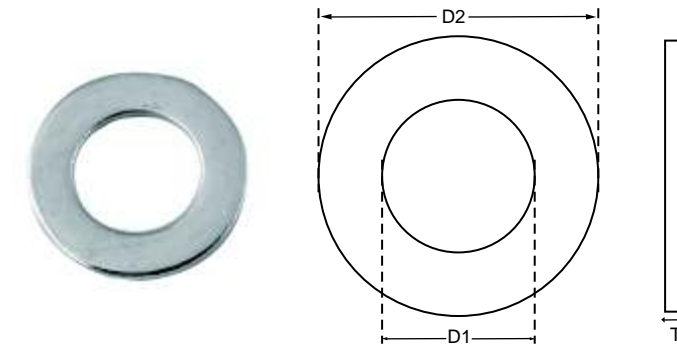
WASHERS : BS 4320 METRIC SERIES (FORM F)



BS 4320 DIMENSIONS OF WASHERS (FORM F)

NOMINAL SIZE OF BOLT OR SCREW	INSIDE DIAMETER mm	OUTER DIAMETER mm	THICKNESS
	Min - Max	Min - Max	Min - Max
M8	9.0 - 9.4	20.2 - 21.0	1.3 - 1.9
M10	11.0 - 11.5	23.2 - 24.0	1.7 - 2.3
M12	14.0 - 14.5	27.2 - 28.0	2.2 - 2.8
M14	16.0 - 16.5	29.2 - 30.0	2.2 - 2.8
M16	18.0 - 18.5	32.8 - 34.0	2.4 - 3.6
M18	20.0 - 20.6	35.8 - 37.0	2.4 - 3.6
M20	22.0 - 22.6	37.8 - 39.0	2.4 - 3.6
M22	24.0 - 24.6	42.8 - 44.0	2.4 - 3.6
M24	26.0 - 26.6	48.8 - 50.0	3.4 - 4.6
M27	30.0 - 30.6	54.5 - 56.0	3.4 - 4.6
M30	33.0 - 33.8	58.5 - 60.0	3.4 - 4.6
M33	36.0 - 36.8	64.5 - 66.0	4.0 - 6.0
M36	39.0 - 39.8	70.5 - 72.0	4.0 - 6.0
M39	42.0 - 42.8	75.5 - 77.0	5.0 - 7.0

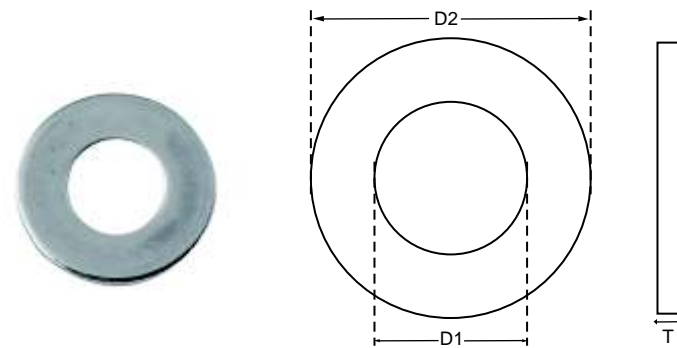
DIN 125 : STANDARD FASTENERS



METRIC WASHERS - DIMENSIONS

NOMINAL SIZE OF BOLT OR SCREW	INSIDE DIAMETER (D1) mm	OUTER DIAMETER (D2) mm	THICKNESS (T) mm
	Min - Max	Min - Max	Min - Max
M1.6	1.7 - 1.84	3.7 - 4	0.25 - 0.35
M2	2.2 - 2.34	4.7 - 5	0.25 - 0.35
M2.5	2.7 - 2.84	5.7 - 6	0.45 - 0.55
M3	3.2 - 3.38	6.64 - 7	0.45 - 0.55
M3.5	3.7 - 3.88	7.64 - 8	0.45 - 0.55
M4	4.3 - 4.48	8.64 - 9	0.7 - 0.9
M5	5.3 - 5.48	9.64 - 10	0.9 - 1.10
M6	6.4 - 6.62	11.57 - 12	1.4 - 1.8
M8	8.4 - 8.62	15.57 - 16	1.4 - 1.8
M10	10.5 - 10.77	19.48 - 20	1.8 - 2.2
M12	13 - 13.27	23.48 - 24	2.3 - 2.7
M14	15 - 15.27	27.48 - 28	2.3 - 2.7
M16	17 - 17.27	29.48 - 30	2.7 - 3.3
M18	19 - 19.33	33.38 - 34	2.7 - 3.3
M20	21 - 21.33	36.38 - 37	2.7 - 3.3
M22	23 - 23.33	38.38 - 39	2.7 - 3.3
M24	25 - 25.33	43.38 - 44	3.7 - 4.3
M27	28 - 28.33	49.38 - 50	3.7 - 4.3
M30	31 - 31.39	55.26 - 56	3.7 - 4.3
M33	34 - 34.62	58.8 - 60	4.4 - 5.6
M36	37 - 37.62	64.8 - 66	4.4 - 5.6
M39	40 - 40.62	70.08 - 72	5.4 - 6.6
M42	43 - 43.62	76.8 - 78	6 - 8
M48	50 - 50.62	90.6 - 92	7 - 9

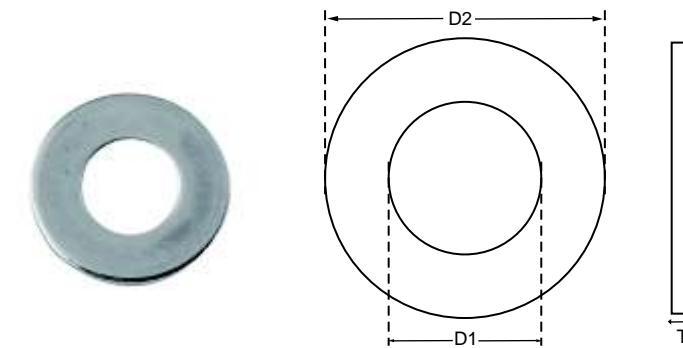
BS3410 : LARGE BRIGHT WASHER (TABLE 4 LIGHT PATTERN)



DIMENSIONS (INCHES)

NOMINAL SIZE OF BOLT OR SCREW	INSIDE DIAMETER (D1)	OUTER DIAMETER (D2)	THICKNESS (T)
	Min - Max	Min - Max	Min - Max
1/4	0.265 - 0.270	0.620 - 0.625	0.038 - 0.044
5/16	0.328 - 0.333	0.745 - 0.750	0.044 - 0.052
3/8	0.390 - 0.395	0.870 - 0.875	0.044 - 0.052
7/16	0.453 - 0.458	0.995 - 1.000	0.052 - 0.060
1/2	0.515 - 0.520	1.115 - 1.125	0.052 - 0.060
9/16	0.588 - 0.593	1.240 - 1.250	0.052 - 0.060
5/8	0.651 - 0.656	1.365 - 1.375	0.068 - 0.076
3/4	0.776 - 0.781	1.615 - 1.625	0.068 - 0.076
7/8	0.901 - 0.906	1.865 - 1.875	0.068 - 0.076
1	1.026 - 1.031	2.115 - 2.125	0.086 - 0.098
1 1/8	1.151 - 1.156	2.355 - 2.375	0.098 - 0.110
1 1/4	1.276 - 1.281	2.605 - 2.625	0.110 - 0.122
1 3/8	1.401 - 1.406	2.855 - 2.875	0.122 - 0.136
1 1/2	1.526 - 1.531	3.095 - 3.125	0.122 - 0.136
1 3/4	1.776 - 1.781	3.595 - 3.625	0.122 - 0.136
2	2.026 - 2.031	4.095 - 4.125	0.122 - 0.136

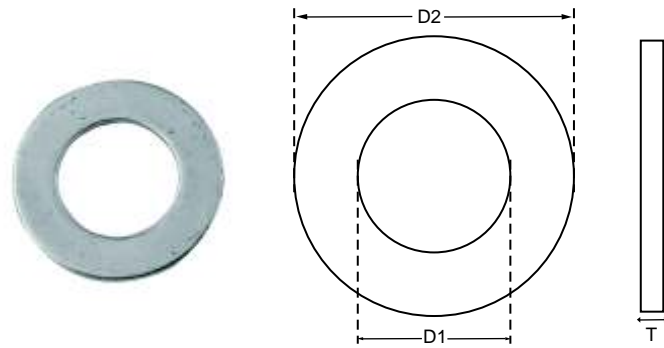
BS3410 : LARGE BRIGHT WASHER (TABLE 4 HEAVY PATTERN)



DIMENSIONS (INCHES)

NOMINAL SIZE OF BOLT OR SCREW	INSIDE DIAMETER (D1)	OUTER DIAMETER (D2)	THICKNESS (T)
	Min - Max	Min - Max	Min - Max
1/4	0.265 - 0.270	0.620 - 0.625	0.052 - 0.060
5/16	0.328 - 0.333	0.745 - 0.750	0.068 - 0.076
3/8	0.390 - 0.395	0.870 - 0.875	0.068 - 0.076
7/16	0.453 - 0.458	0.995 - 1.000	0.086 - 0.098
1/2	0.515 - 0.520	1.115 - 1.125	0.086 - 0.098
9/16	0.588 - 0.593	1.240 - 1.250	0.098 - 0.110
5/8	0.651 - 0.656	1.365 - 1.375	0.110 - 0.122
3/4	0.776 - 0.781	1.615 - 1.625	0.122 - 0.136
7/8	0.901 - 0.906	1.865 - 1.875	0.136 - 0.152
1	1.026 - 1.031	2.115 - 2.125	0.152 - 0.168
1 1/8	1.151 - 1.156	2.355 - 2.375	0.168 - 0.184
1 1/4	1.276 - 1.281	2.605 - 2.625	0.168 - 0.184
1 3/8	1.401 - 1.406	2.855 - 2.875	0.184 - 0.202
1 1/2	1.526 - 1.531	3.095 - 3.125	0.184 - 0.202
1 3/4	1.776 - 1.781	3.595 - 3.625	0.202 - 0.222
2	2.026 - 2.031	4.095 - 4.125	0.202 - 0.222

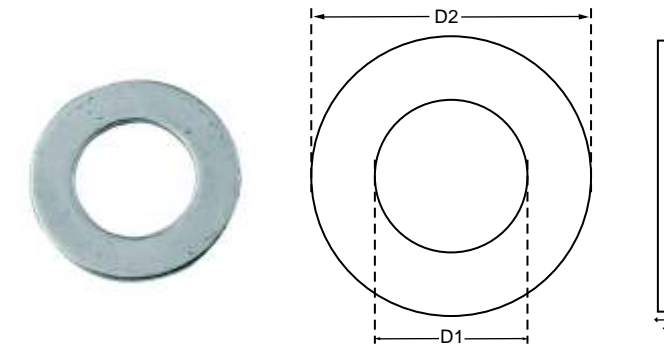
BS3410 : SMALL BRIGHT WASHER (TABLE 3 LIGHT PATTERN)



DIMENSIONS (INCHES)

NOMINAL SIZE OF BOLT OR SCREW	INSIDE DIAMETER (D1)	OUTER DIAMETER (D2)	THICKNESS (T)
	Min - Max	Min - Max	Min - Max
1/4	0.265 - 0.270	0.557 - 0.562	0.034 - 0.038
5/16	0.328 - 0.333	0.620 - 0.625	0.038 - 0.044
3/8	0.390 - 0.395	0.745 - 0.750	0.044 - 0.052
7/16	0.453 - 0.458	0.870 - 0.875	0.044 - 0.052
1/2	0.515 - 0.520	0.995 - 1.000	0.052 - 0.060
9/16	0.588 - 0.593	1.115 - 1.125	0.052 - 0.060
5/8	0.651 - 0.656	1.240 - 1.250	0.068 - 0.076
3/4	0.776 - 0.781	1.490 - 1.500	0.068 - 0.076
7/8	0.901 - 0.906	1.615 - 1.625	0.068 - 0.076
1	1.026 - 1.031	1.865 - 1.875	0.068 - 0.076
1 1/8	1.151 - 1.156	2.115 - 2.125	0.086 - 0.098
1 1/4	1.276 - 1.281	2.355 - 2.375	0.110 - 0.122
1 3/8	1.401 - 1.406	2.605 - 2.625	-
1 1/2	1.526 - 1.531	2.855 - 2.875	-
1 3/4	1.776 - 1.781	3.345 - 3.375	-
2	2.026 - 2.031	3.595 - 3.625	-

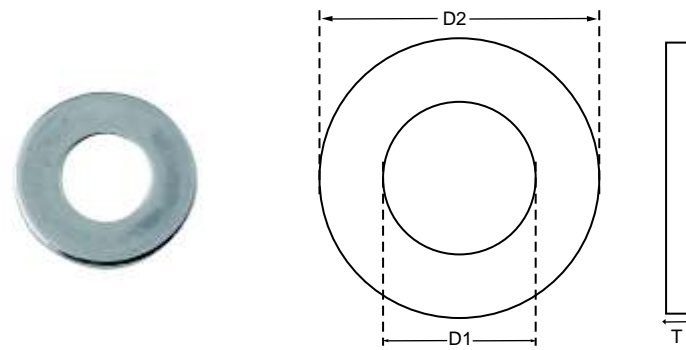
BS3410 : SMALL BRIGHT WASHERS (TABLE 3 HEAVY PATTERN)



DIMENSIONS (INCHES)

NOMINAL SIZE OF BOLT OR SCREW	INSIDE DIAMETER (D1)	OUTER DIAMETER (D2)	THICKNESS (T)
	Min - Max	Min - Max	Min - Max
1/4	0.265 - 0.270	0.557 - 0.562	0.052 - 0.060
5/16	0.328 - 0.333	0.620 - 0.625	0.068 - 0.076
3/8	0.390 - 0.395	0.745 - 0.750	0.068 - 0.076
7/16	0.453 - 0.458	0.870 - 0.875	0.086 - 0.098
1/2	0.515 - 0.520	0.995 - 1.000	0.086 - 0.098
9/16	0.588 - 0.593	1.115 - 1.125	0.098 - 0.110
5/8	0.651 - 0.656	1.240 - 1.250	0.110 - 0.122
3/4	0.776 - 0.781	1.490 - 1.500	0.122 - 0.136
7/8	0.901 - 0.906	1.615 - 1.625	0.136 - 0.152
1	1.026 - 1.031	1.865 - 1.875	0.152 - 0.168
1 1/8	1.151 - 1.156	2.115 - 2.125	0.168 - 0.184
1 1/4	1.276 - 1.281	2.355 - 2.375	0.168 - 0.184
1 3/8	1.401 - 1.406	2.605 - 2.625	0.184 - 0.202
1 1/2	1.526 - 1.531	2.855 - 2.875	0.184 - 0.202
1 3/4	1.776 - 1.781	3.345 - 3.375	0.202 - 0.222
2	2.026 - 2.031	3.595 - 3.625	0.202 - 0.222

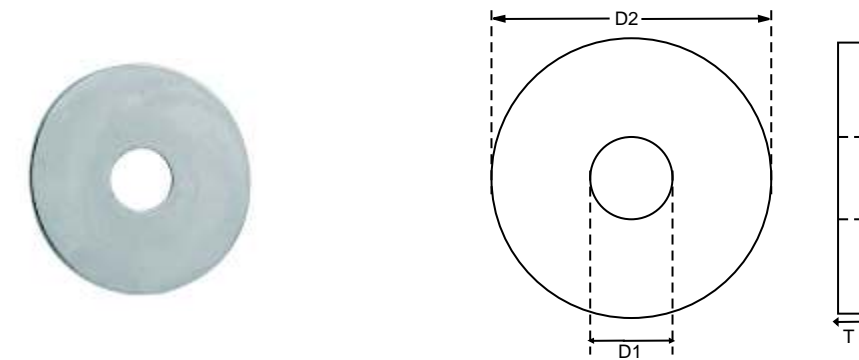
BS4320G : FLAT WASHER FORM G



DIMENSIONS (IN MM)

NOMINAL SIZE OF BOLT OR SCREW	INSIDE DIAMETER (D1)mm	OUTER DIAMETER (D2)mm	THICKNESS (T) mm
M5	5.5	15	1.6
M6	6.6	18	2.0
M7	7.6	21	2.0
M8	9.0	24	2.0
M10	11	30	2.5
M12	14	36	3.0
M14	16	42	3.0
M16	18	48	4.0
M18	20	54	4.0
M20	22	60	5.0
M22	24	66	5.0
M24	26	72	6.0
M27	30	81	6.0
M30	33	90	8.0
M33	36	99	8.0
M36	39	108	10.0
M39	42	117	10.0

MUDGAURD WASHERS



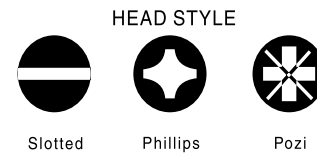
DIMENSIONS FOR MUDGUARD

WASHER DESCRIPTION (INCHES)	INSIDE DIAMETER (D1)mm	OUTER DIAMETER (D2)mm	THICKNESS (T) mm
	Min - Max	Min - Max	Min - Max
4.3 X 20 X 1.5	4.3 - 4.48	19.48 - 20	1.3 - 1.7
5.3 X 20 X 1.5	5.3 - 5.48	19.48 - 20	1.3 - 1.7
5.3 X 25 X 1.5	5.3 - 5.48	24.48 - 25	1.3 - 1.7
5.3 X 30 X 1.5	5.3 - 5.48	29.48 - 30	1.3 - 1.7
6.4 X 20 X 1.5	6.4 - 6.62	19.48 - 20	1.3 - 1.7
6.4 X 25 X 1.5	6.4 - 6.62	24.48 - 25	1.3 - 1.7
6.4 X 30 X 1.5	6.4 - 6.62	29.48 - 30	1.3 - 1.7
6.4 X 40 X 1.5	6.4 - 6.62	39.48 - 40	1.3 - 1.7
8.4 X 20 X 1.5	8.4 - 8.62	19.48 - 20	1.3 - 1.7
8.4 X 25 X 1.5	8.4 - 8.62	24.48 - 25	1.3 - 1.7
8.4 X 30 X 1.5	8.4 - 8.62	29.48 - 30	1.3 - 1.7
8.4 X 40 X 1.5	8.4 - 8.62	39.48 - 40	1.3 - 1.7
10.5 X 20 X 1.5	10.5 - 10.77	19.48 - 20	1.3 - 1.7
10.5 X 25 X 1.5	10.5 - 10.77	24.48 - 25	1.3 - 1.7
10.5 X 30 X 1.5	10.5 - 10.77	29.38 - 30	1.3 - 1.7
10.5 X 40 X 1.5	10.5 - 10.77	39.38 - 40	1.3 - 1.7
10.5 X 50 X 1.5	10.5 - 10.77	49.38 - 50	1.3 - 1.7
11 X 40 X 1.5	11 - 11.27	39.38 - 40	1.3 - 1.7
11 X 50 X 1.5	11 - 11.27	49.38 - 50	1.3 - 1.7
12 X 30 X 1.5	13 - 13.27	29.48 - 30	1.3 - 1.7
12 X 35 X 1.5	13 - 13.27	34.48 - 35	1.3 - 1.7
12 X 40 X 1.5	13 - 13.27	39.38 - 40	1.3 - 1.7
12 X 50 X 1.5	13 - 13.27	49.38 - 50	1.3 - 1.7
12 X 60 X 1.5	13 - 13.27	58.8 - 60	1.3 - 1.7
15 X 40 X 1.5	15 - 15.27	39.38 - 40	1.3 - 1.7

STEEL WOOD SCREW



SCREW NO.	DIA. OF HEAD	DIA. OF UNTHREADED SHANK	DEPTH OF HEAD
3	4.60	2.30	1.32
4	5.30	2.65	1.50
6	6.70	3.35	1.58
7	7.40	3.70	2.16
8	8.10	4.10	2.34
10	9.50	4.75	2.69
12	10.90	5.40	3.05

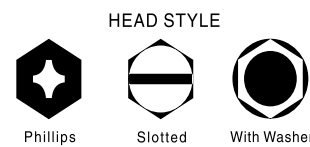


FINISH AVAILABLE : ZP, SC, NP, ZPYP, BLACK, OLIVE GREEN
PACKING : FLEXIBLE (As Per Customer Requirements)

HEXAGON BOLTS & CARRIAGE BOLTS



SCREW NO.	DIA. OF HEAD	HEAD WIDTH
M3	5.50	2.50
M4	7.00	2.80
M5	8.00	3.50
M6	10.00	4.00
M8	13.00	5.50
M10	17.50	7.00

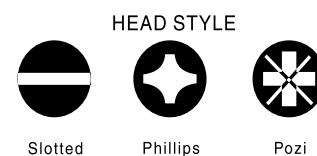


FINISH AVAILABLE : ZP, SC, NP, ZPYP, BLACK, OLIVE GREEN
PACKING : FLEXIBLE (As Per Customer Requirements)
Also Being Manufactured In Brass

STEEL MACHINE SCREW



SCREW NO.	DIA. OF HEAD	HEAD WIDTH
M2	3.80	1.20
M3	5.60	1.65
M4	7.50	2.20
M5	9.20	2.50
M6	11.00	3.00
M8	14.50	4.00
M10	18.00	5.00



FINISH AVAILABLE : ZP, SC, NP, ZPYP, BLACK, OLIVE GREEN
PACKING : FLEXIBLE (As Per Customer Requirements)
Also Being Manufactured In Brass

STEEL SELF TAPPING SCREW



SCREW NO.	DIA. OF HEAD	THREAD SIZE	DEPTH OF HEAD
2	4.30	2.20	1.30
4	5.50	2.90	1.70
6	6.80	3.50	2.10
8	8.10	4.20	2.50
10	9.50	4.80	3.00
12	10.80	5.50	3.40
14	12.40	6.30	3.80



FINISH AVAILABLE : ZP, SC, NP, ZPYP, BLACK, OLIVE GREEN
PACKING : FLEXIBLE (As Per Customer Requirements)

WRENTAILS

- Ring Shank Nails
- Clout Nails
- Threaded Nails
- Round Wire Nails
- Drywall Screws
- Chipboard Screws
- Twin Thread Screws



THREADED NAILS
Sizes: 1" to 3"



RING SHANK NAILS
Sizes: 1" to 3"



CLOUT NAILS
Sizes: 1/2" to 2"



ROUND WIRE NAILS
Sizes: 1/2" to 5"

FINISH AVAILABLE : ZP, SC, NP, ZPYP, BLACK, OLIVE GREEN
PACKING : FLEXIBLE (As Per Customer Requirements)

SCREWS & THREADED RODS



TWIN THREAD

M 12



CHIPBOARD

M 8

GT1 to GT6 (M6 to M16)
FINISH AVAILABLE : ZP, SC, NP, ZPYP, BLACK, OLIVE GREEN
PACKING : FLEXIBLE (As Per Customer Requirements)



DRY WALL

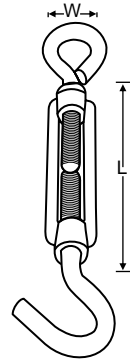
M 16

74103: TURN BUCKLE



ITEM CODE	LENGTH	WIDTH	BOLT	WT/PCS	Pcs In Inner	Pcs In Outer
MIRN7410XXX	108	22	M8	0.114	10	100
MIRN7411XXX	119	24	M10	0.175	10	80
MIRN7412XXX	128	31	M12	0.388	5	50

FINISH AVAILABLE - ZP, HSG

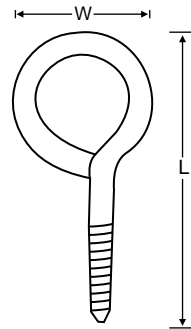


GFX5012 : SCREW EYE 2"



ITEM CODE	LENGTH	WIDTH	WIRE DIA.	WT/PCS	Pcs In Inner	Pcs In Outer
MFNR5012050	81	35	7.2	0.040	10	300

FINISH AVAILABLE - ZP

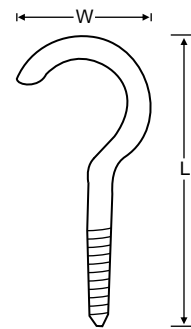


GFX5001 : SCREW HOOK 3"



ITEM CODE	LENGTH	WIDTH	THICKNESS	WT/PCS	Pcs In Inner	Pcs In Outer
MFNR5012075	76	30	4.7	0.014	25	100

FINISH AVAILABLE - ZP

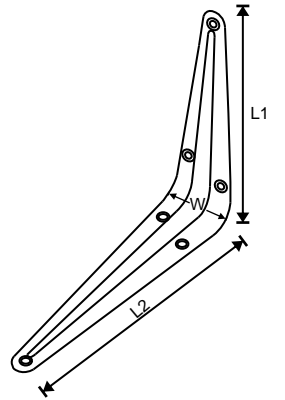


D702 : SHELF BRACKET (LONDON PATTERN)



ITEM CODE	LENGTH	WIDTH	THICKNESS	Screw No.	WT/PCS	Pcs In Inner	Pcs In Outer
MMIHD701100	100x75	32	1.0	4	0.029	20	240
MMIHD702125	125x100	34	1.0	4	0.040	20	240
MMIHD703150	150x125	36	1.0	4	0.053	20	240
MMIHD704200	200x150	40	1.0	4	0.079	20	160
MMIHD705225	225x175	40	1.0	6	0.097	20	140
MMIHD706250	250x200	47	1.0	6	0.107	20	140
MMIHD707300	300x250	50	1.0	6	0.149	20	100
MMIHD708350	350x300	50	1.0	6	0.174	20	60

FINISH AVAILABLE - EXW, EXB, EXGR

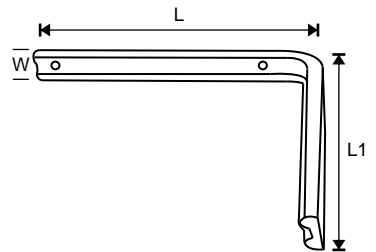


1247 : FLUTED ANGLE BRACKET



ITEM CODE	SIZE	LENGTH	WIDTH	THICKNESS	SCREWN0	WT/PCS	PCS IN OUTER
MGF1247075	2"x3"	50X75	20	3.7	8	0.140	20
MGF1247100	3"x4"	75X100	20	3.7	8	0.150	20
MGF1247125	4"x5"	100X125	20	3.7	8	0.175	20
MGF1247150	6"x8"	150X200	25	5.0	8	0.347	20
MGF1247200	8"x10"	200X250	25	5.0	8	0.427	20
MGF1247250	10"x12"	250X300	25	5.0	8	0.551	20
MGF1247300	12"x14"	300X350	25	5.0	8	0.692	20

FINISH AVAILABLE - EXB, TEXTURE BLK, EXW, ZP, DUROSIL, EVERBLACK, HSG

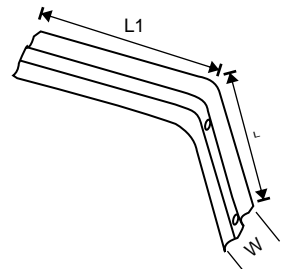


70050: CISTERN BRACKET



ITEM CODE	LENGTH	WIDTH	THICKNESS	SCREW NO.	WT/PCS	Pcs In Inner	Pcs In Outer
MIRN7050100	100X100	31	1.0	8	0.055	20	160

FINISH AVAILABLE - EXB, TEXTURE BLK, EXW, ZP, DUROSIL, EVERBLACK, HSG





MISCELLANEOUS HARDWARE

DESCRIPTION	PAGE	DESCRIPTION	PAGE
BOOKCASE STRIP AND CHANNEL	6	SCREWS & THREADED RODS	21
CISTERN BRACKET	23	SELF TAPPING SCREW	21
CONNECTING BOLT	4	SHELF BRACKET (LONDON PATTERN)	23
DOOR WEDGE	6	SHELF BRACKET WITH NAILS	5
FLAT END STEEL GRAB RAIL	7	SMALL BRIGHT WASHER (T-3 LIGHT PATTERN)	16
FLAT WASHER FORM G	18	SMALL BRIGHT WASHER (T-3 HEAVY PATTERN)	17
FLUTED ANGLE BRACKET	23	SPRING DOOR CLOSER	3
FOR BOOKCASE STRIP & CHANNEL	7	SPRING DOOR CLOSER	3
GLASS CLIP	5	STANDARD FASTENER	13
GRAB RAIL WITH CONCEALED ROSES	8	STUDS FOR BOOKCASE STRIP & CHANNEL	7
HEXAGON BOLTS & CARRIAGE BOLTS	20	STUDS FOR BOOKCASE STRIP & CHANNEL	7
KD BLOCKS	5	STUDS FOR BOOKCASE STRIP & CHANNEL	7
LARGE BRIGHT WASHER (T-4 LIGHT PATTERN)	15	TUBES AND RAIL	1
LARGE BRIGHT WASHER (T-4 HEAVY PATTERN)	14	TURN BUCKLES	22
MACHINE SCREW	20	UPVC LETTER PLATE	4
MODESTY BLOCKS	5	UPVC LEVER HANDLE	3
MUDGUARD WASHER	19	UPVC LOCKING FASTENER	4
OFFSET FLAT END STEEL GRAB RAIL	7	WARDROBE CENTRE BRACKET	1
ORNAMENTAL GATE PULLS	8	WARDROBE END BRACKET	1
OVAL CENTRE SOCKET	2	WARDROBE END SOCKET	2
OVAL END SOCKET	2	WASHERS (FORM A AND B)	9
PINE KNOB	6	WASHERS (FORM C AND D)	10
POLE HOOK	8	WASHERS (FORM E)	11
RUBBER DOOR STOP	6	WASHERS (FORM F)	12
SCREW CUP & CAP	4	WOOD SCREW	20
SCREW EYE 2"	22	WRENTAILS	21
SCREW HOOK 3"	22		

CODE	PAGE	CODE	PAGE	CODE	PAGE	CODE	PAGE
0	1	1121	2	BS4320	11	GPL0201	5
0	6	1247	23	BS4320	12	GPL0301	5
0	19	1509	8	BS4320G	18	GPL0321	5
0	20	70050	23	D702	23	GPL0331	6
0	20	9000AC	7	DIN125	13	GPL0351	6
0	20	9000ADR	7	GDC001	3	GPL041	4
0	21	9000AF	7	GDC011	3	GPV001	3
0	21	9000AS	7	GFESB18	7	GPV011	4
0	21	BS3410	14	GFESB180	7	GPV021	4
0	22	BS3410	15	GFESB18C	8	GWD0050	6
1101	1	BS3410	16	GFX5001	22	GZC3001	8
1105	1	BS3410	17	GFX5012	22		
1111	2	BS4320	9	GPL0051	4		
1116	2	BS4320	10	GPL0061	5		

NOTE

- * All Weight Given are Approximate and can Vary
- * All Data & Photos Printed In This Catalogue Represent The Product to Close Details, However There May Be Some Variations in Real Product & Photograph.
- * All Information and Photograph is Property of **D. P. GARG PVT. LTD.**
It is illegal to reproduce any photograph & data without prior written consent of the company.

KEY FINISHES

CP	CHROME PLATED
EB	ELECTRO BRASS
SNP	SATIN NICKEL PLATED
EXB	EPOXY BLACK
EXW	EPOXY WHITE
COLOUR	BLACK, WHITE, GREY, MAGNOLIA, BROWN
NP	NICKEL PLATED
ZP	ZINC PLATED
EXBR	EPOXY BROWN
HSG	HOT SPLETER GALVANIZED
ZPYP	ZINC PLATED YELLOW PASSIVATED
SC	SELF COLOUR
DUROSIL	